



نوران  

---

NOORAN

Magnetic Mini Multi Track Light



Page5



Page 6



Page7-8



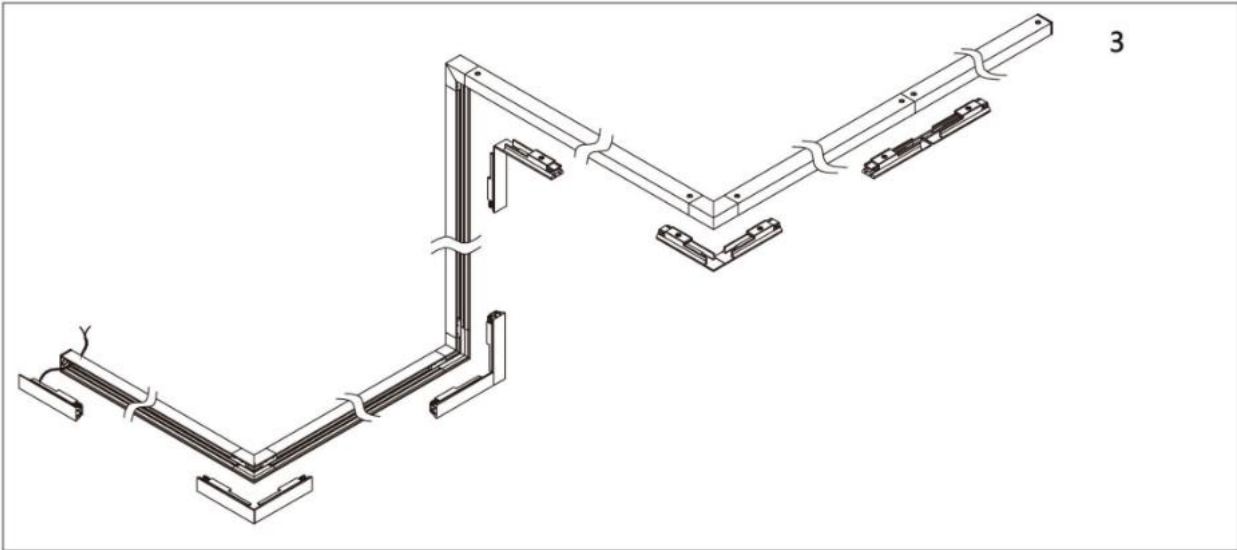
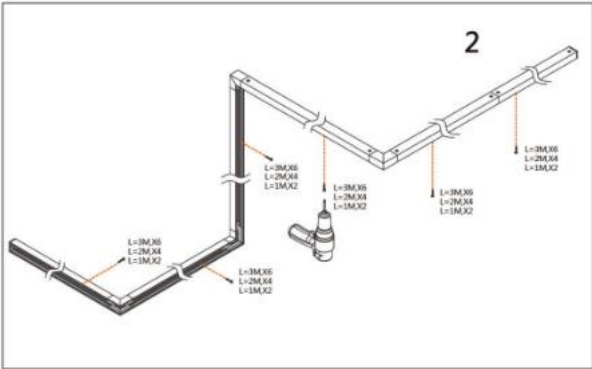
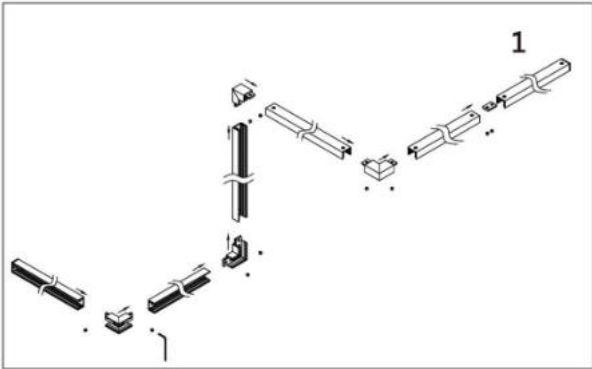
Page9

## Magnetic Mini Multi Track Light

---

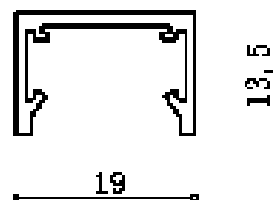
Nooran lighting

# Installation



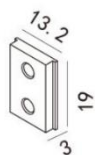
# Description of accessories

## Profile ►

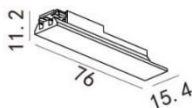


Length	Code No.
2000mm	T288
3000mm	T289

## Accessories



**T284**



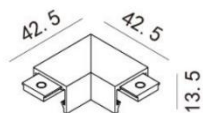
**T287**



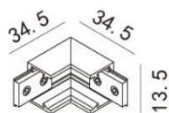
**T281**



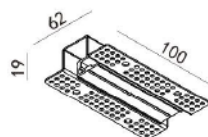
**T280**



**T285**



**T286**



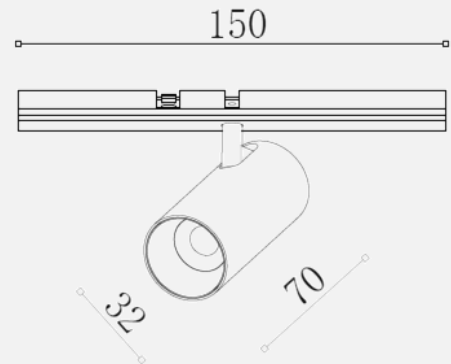
**T283**

Recessed wing  
(To make surface  
track to be Recessed)



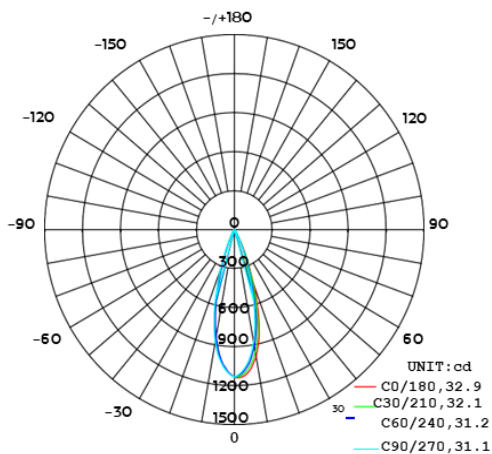
**Code: T276**

<b>Input Voltage</b>	DC48
<b>Power(Watts)</b>	5.5W
<b>Lumen</b>	347lm
<b>Lamp holder</b>	Ceramic PCB
<b>Light Source</b>	Bridgelux C6
<b>Beam Angle</b>	35°
<b>Color Temperature</b>	3000K
<b>CRI ≥</b>	80
<b>IP level</b>	IP20
<b>Main Material</b>	Aluminum
<b>Wire connection way</b>	Track Adaptor
<b>Class</b>	<input type="checkbox"/> I <input type="checkbox"/> II <input checked="" type="checkbox"/> III
<b>Guarantee</b>	3 years
<b>Warranty</b>	5 years
<b>Certificates</b>	CE . ROHS

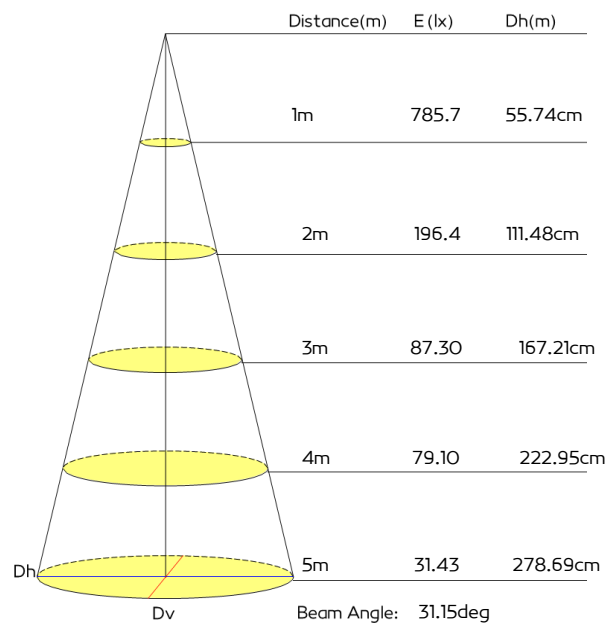


## Optic Data

### Luminous Intensity Distribution Curve



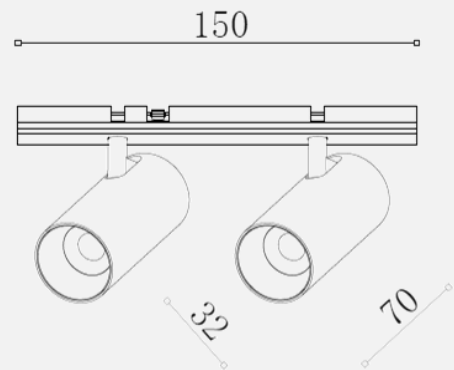
### AAI Figure





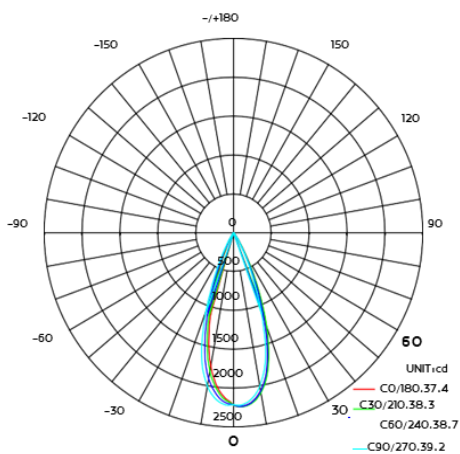
**Code: T275**

<b>Input Voltage</b>	DC48
<b>Power(Watts)</b>	10.8W
<b>Lumen</b>	928lm
<b>Lamp holder</b>	Ceramic PCB
<b>Light Source</b>	Bridgelux C6
<b>Beam Angle</b>	35°
<b>Color Temperature</b>	3000K
<b>CRI ≥</b>	80
<b>IP level</b>	IP20
<b>Main Material</b>	Aluminum
<b>Wire connection way</b>	Track Adaptor
<b>Class</b>	□ I □ II ■ III
<b>Guarantee</b>	3 years
<b>Warranty</b>	5 years
<b>Certificates</b>	CE . ROHS

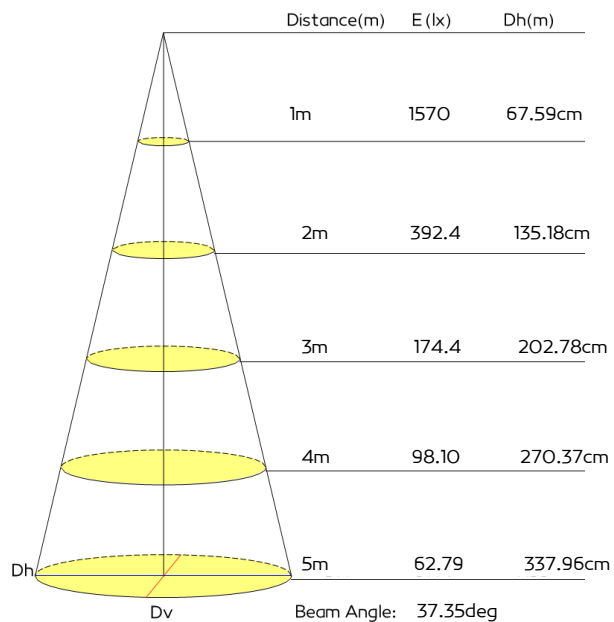


## Optic Data

### Luminous Intensity Distribution Curve



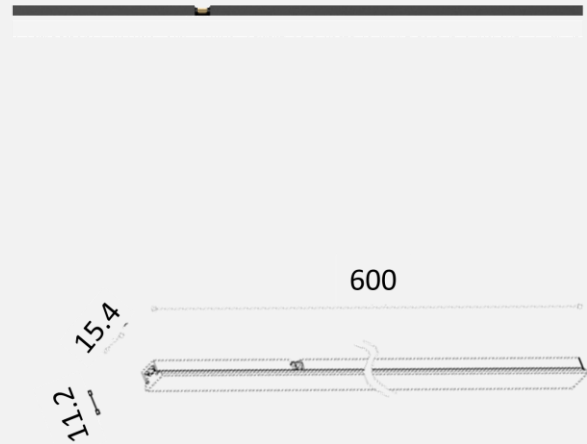
### AAI Figure





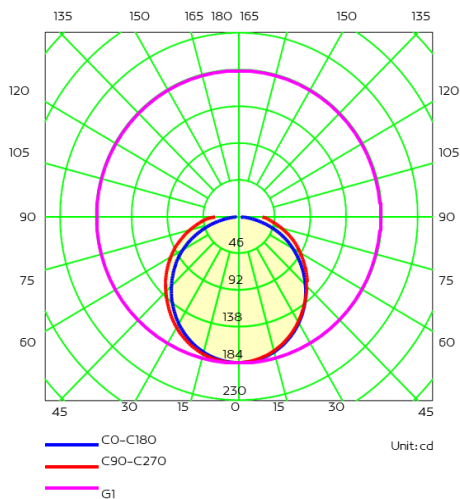
**Code: T278**

<b>Input Voltage</b>	DC48
<b>Power(Watts)</b>	10.4W
<b>Lumen</b>	581lm
<b>Lamp holder</b>	Aluminum PCB
<b>Light Source</b>	Bridgelux 2835
<b>Beam Angle</b>	124°
<b>Color Temperature</b>	3000K
<b>CRI ≥</b>	80
<b>IP level</b>	IP20
<b>Main Material</b>	Aluminum
<b>Wire connection way</b>	/
<b>Class</b>	<input type="checkbox"/> I <input type="checkbox"/> II <input checked="" type="checkbox"/> III
<b>Guarantee</b>	3 years
<b>Warranty</b>	5 years
<b>Certificates</b>	CE . ROHS

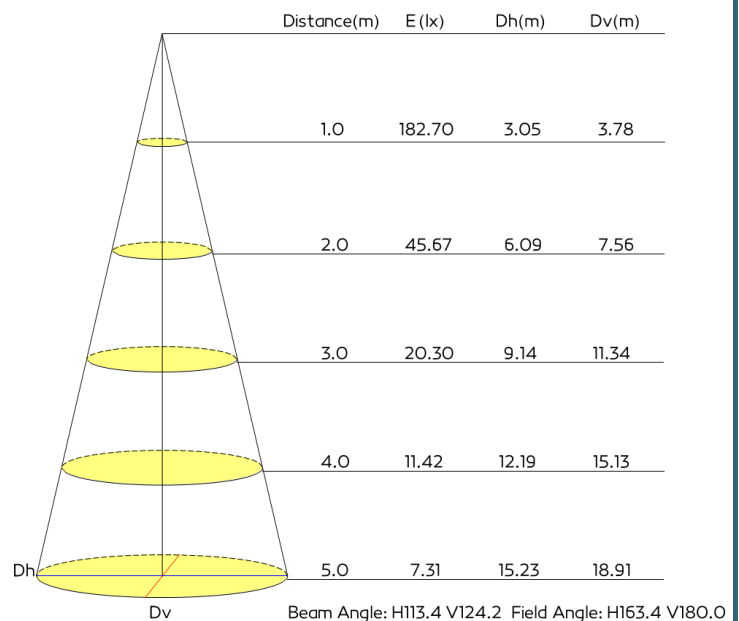


## Optic Data

### Luminous Intensity Distribution Curve



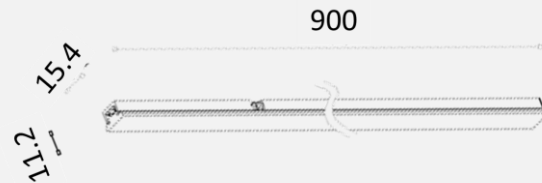
### AAI Figure





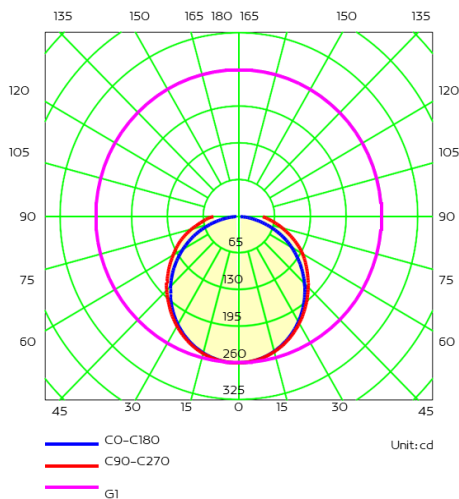
**Code: T279**

<b>Input Voltage</b>	DC48
<b>Power(Watts)</b>	15.6W
<b>Lumen</b>	820lm
<b>Lamp holder</b>	Aluminum PCB
<b>Light Source</b>	Bridgelux 2835
<b>Beam Angle</b>	124°
<b>Color Temperature</b>	3000K
<b>CRI ≥</b>	80
<b>IP level</b>	IP20
<b>Main Material</b>	Aluminum
<b>Wire connection way</b>	/
<b>Class</b>	<input type="checkbox"/> I <input type="checkbox"/> II <input checked="" type="checkbox"/> III
<b>Guarantee</b>	3 years
<b>Warranty</b>	5 years
<b>Certificates</b>	CE , ROHS

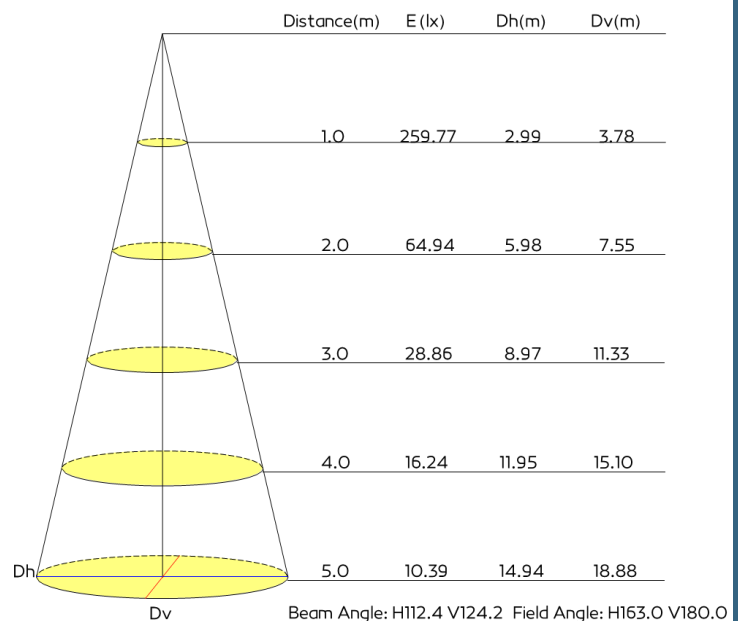


## Optic Data

### Luminous Intensity Distribution Curve



### AAI Figure

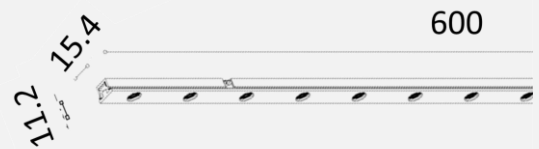






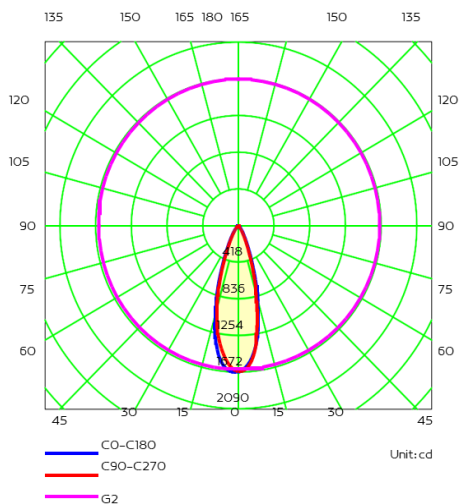
**Code: T277**

<b>Input Voltage</b>	DC48
<b>Power(Watts)</b>	12x0.8W (9.6W)
<b>Lumen</b>	644lm
<b>Lamp holder</b>	Aluminum PCB
<b>Light Source</b>	CREE 3030
<b>Beam Angle</b>	30°
<b>Color Temperature</b>	3000K
<b>CRI ≥</b>	80
<b>IP level</b>	IP20
<b>Main Material</b>	Aluminum
<b>Wire connection way</b>	/
<b>Class</b>	<input type="checkbox"/> I <input type="checkbox"/> II <input checked="" type="checkbox"/> III
<b>Guarantee</b>	3 years
<b>Warranty</b>	5 years
<b>Certificates</b>	CE . ROHS

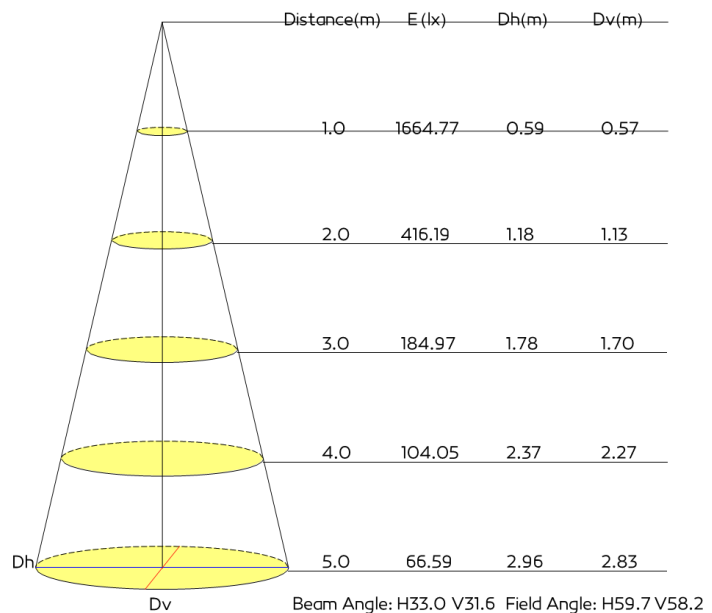


## Optic Data

### Luminous Intensity Distribution Curve



### AAI Figure





نوران  
NOORAN